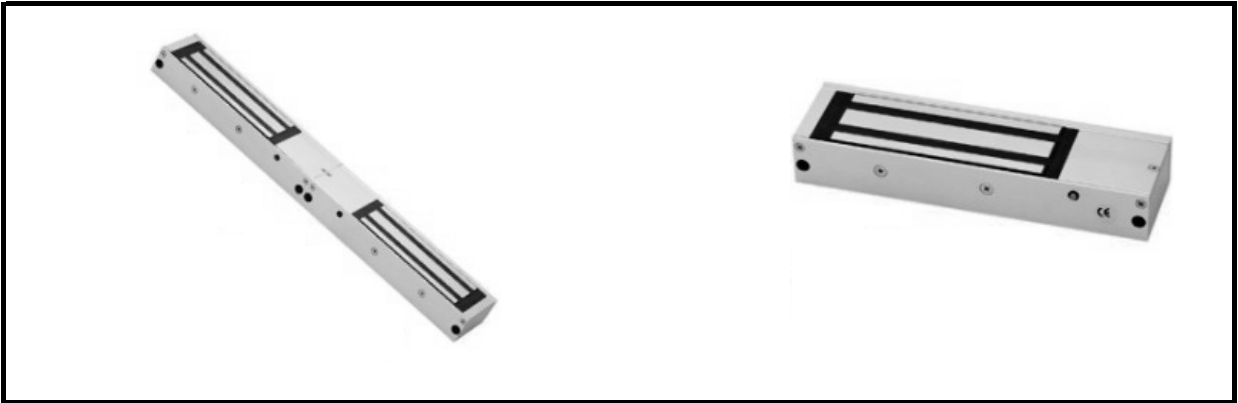


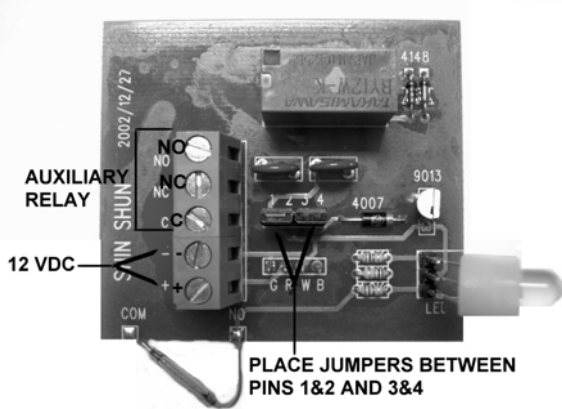
INSTALLED INSTRUCTION
AR-1200M/ AR-1200M-DT
and AR-1200M-DB/ AR-1200M-DB-DT
ELECTROMAGNETIC LOCK



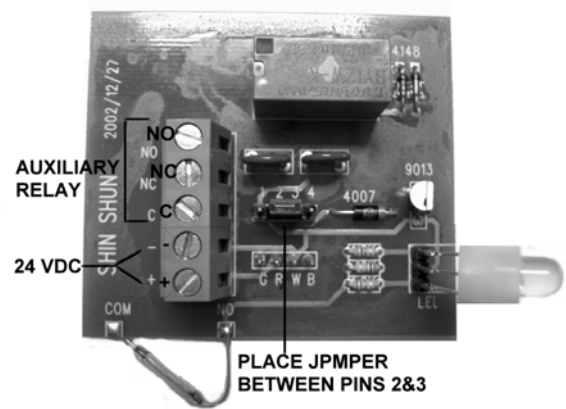
SPECIFICATION

DESCRIPTION	SINGLE ARMATURE		DUAL ARMATURE	
	AR-1200M	AR-1200M-DT	AR-1200M-DB	AR-1200M-DB-DT
Door monitoring output (Relay Form C)	⊙	⊙	⊙	⊙
LED indicator	⊙	⊙	⊙	⊙
Delay time 0~40sec		⊙		⊙
Input Voltage	12 to 24 VDC			
Current Draw	12VDC - 500mA 24VDC - 250mA			
Holding Force	1200LBS (500KG)			
Dimensions(L x W x D)				
Surface magnet	266 x 73.5 x 40 mm		532 x 73.5 x 40 mm	
Strike plate	185 x 61 x 16 mm		185 x 61 x 16 mm	
Material Armature housing	Aluminum			

ELECTRICAL INSTALLATION

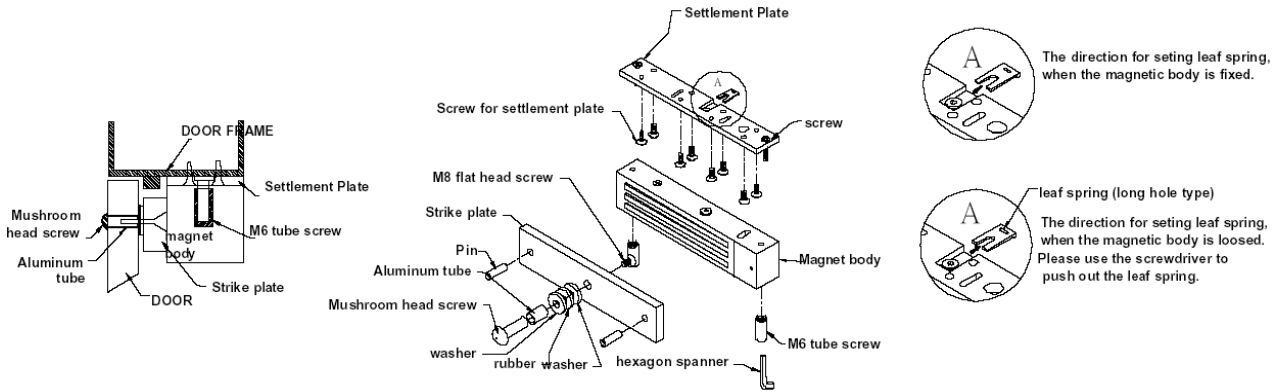


12 VDC



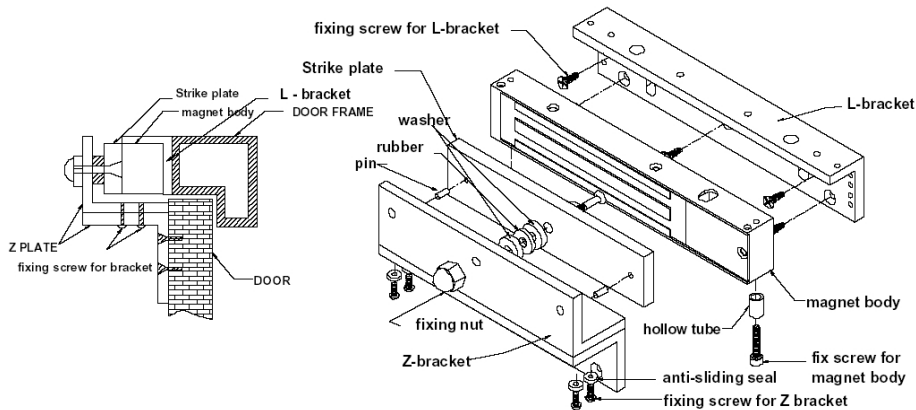
24 VDC

OUT SWING DOOR ASSEMBLY



1. Insert 2 screw into the rectangular holes on the two sides of settlement plate, lock the settlement plate on the door frame. (Note: Do not tight the screw, in order to adjust to correct position.) Make sure the position, then tight settlement plate and magnet body with 8 screws, and insert the leaf spring (please look at Figure A).
2. Make sure the strike plate position, drive a hole on the door by the size of M8 flat head screw at the center position of strike plate (To fit mushroom head screw and aluminum tube). Insert 2 pin at the two side of strikeplate. At the same position of 2 pins, drive match holes (5~6mm diameter) on the door.
3. Between strike plate and door, install 2 washers and 1 rubber in the middle of two washers. Behind the door, insert aluminum tube (length depends on the door thickness). Use mushroom head screw to lock strike plate on the door. Note: Make sure the plate can be slightly shaken when locked. This will have better conjunction to the magnet body and reach the best efficiency.

IN SWING DOOR ASSEMBLY



1. According to the door frame location set the approximate position of the L-bracket on the door frame. Use M6 screws to lock the magnet body with the L-bracket.
2. Accommodate the strike plate to the Z-bracket, lock to the door. Make sure it is at relative position to the magnet body. The Z-bracket fixing-screw can adjust forward or backward to make the distance between magnet body and strike plate properly when door close then lock the Z-bracket fixing-screw tightly. Note: To prevent sliding status, Z-bracket fixing-screw must accommodate with anti-sliding washer.
3. There must have 2 washer and 1 rubber between strike plate and Z-bracket. Put rubber between 2 washers. Lock the M8 flat head screw on th middle of strike plate will have better conjunction to the magnet body and rech the best efficiency.