

# LCD Access Controller

AR-837(E/EE/EF/WD)



**Energy Saver(RF Card)**

AR-837WD



**LCD Access Controller**

AR-837(E)



**LCD Biometrics Access Controller**

AR-837(EF-1500D0)

**LCD Access Controller**

AR-837(EE)



**Weatherproof**

AR-837(E/EE)/AR-837(EF)



**Fingerprint**

AR-837(EF-9000D0)/  
AR-837(EF-1500D0)



**Dual-Band**

AR-837(E/EE)/AR-837(EF)/  
AR-837(WD)



**Relay Output**

AR-837(E)/AR-837(EF)/  
AR-837(EFi)/AR-837(WD)



**Event Log**

AR-837(E)/AR-837(EF)/  
AR-837(EFi)/AR-837(WD)



**Door Bell button**

AR-837(E)/AR-837(EF)/  
AR-837(EFi)/AR-837(WD)

**Museum**

**Treasury**



# LCD (Biometrics) Access Controller / LCD Type Energy Saver

## AR-837(E/EE/EF/WD)

### LCD Access Controller AR-837(E/EE/EF/WD)



Frequency	125kHz	13.56MHz	Dual Band
Standard	EM Standard	.ISO14443A ·DESFire ·FeliCa™ ·NFC (Customization) .ISO15693 .ISO7816	EM Standard .ISO14443A ·FeliCa™ ·DESFire ·NFC (Customization) ·HID Prox ·Indala Prox
Reading Range (Depending on tag or cara)	5-10 cm	2-5 cm	125kHz : 5-15cm 13.56MHz : 2-5cm
Power Consumption	<5W		
Communication Interface	RS-485/9600 bps(N,8,1)		
Ethernet	10/100M Base T Module(OPTION)		
Serial Port	UART X 2 ( TTL 4800~115200)		
Digital Input	1 Egress(R.T.E.) / 1 Door contact		
Operating Temperature	0 °C to +60 °C		
Relay Output	Alarm Relay / Lock Relay		
Transistor Output	Arming LED/Alarm/Duress/WG Lock Relay/Security Trigger Signal		
Tamper Switch	Limit Switch(Form C)		
Alarm Time	Toggle, 1-600 Sec.		
User Capacity	16,000		
Event Log	32,000		
External Reader	1 Wiegand Port		
Anti-pass-back	Yes		
Lift Control	64 Floors, 16,000 Users		
Time Zone	63		
Power Supply	10-24VDC		
Indicator	6 LED & 1 Beeper		
Operation Mode	Stand-Alone / Networking		
LCD Panel	128*64 (4-Line messages, 16 Characters each line)		
Door Bell Button	Yes		
Keypad Material	Rubber		
Housing Material	ABS		
Color	Edge: Black/Silver(Customized Panel Available)		
Dimension(mm)	837E: 133(L)X147(W)X65/30(H) 837EF/PD/WD: 133(L)X147(W)X65/30(H)		
Weight(g)	837E: 220±10      837EE: 470±10 837EF(9000DO): 520±30      837WD: 470±30 837EF(1500DO): 470±30		

### Fingerprint Specification(9000DO)

#### AR-837(EF)



FP Sensor Type	Optical (DO) / Capacitive (MT)
ERR	<0.1%
Image Resolution	500 dpi(DO) / 508 dpi (MT)
Fingerprint User	9000-4500 (1-3 finger for each user)
Auth. Speed (1:1000)	0.97 sec.(DO) / 0.65 sec.(MT)
Sensible Temperature	DO: +30~31 °C / MT: +35~38 °C

### Fingerprint Specification(1500DO)

#### AR-837(EFI)



FP Sensor Type	Optical (3DO)
ERR	<0.1%
Image Resolution	450 dpi
Fingerprint User	500 (1-3 finger for each user)
Auth. Speed (1:1000)	0.79 sec.
Sensible Temperature	+38~39 °C

### Energy Saver(RF Card)

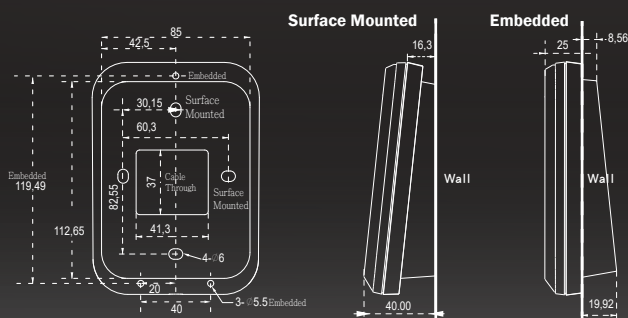
#### AR-837(WD)



Frequency	13.56MHz
User Capacity	16,000 / Unlimited(SOR only)
Power Supply	10-24VDC
Power consumption	<5W
Interface	RS-485/Ethernet(By order)
Temperature	-10°C to +60°C
LED	6 LED & 1 Beeper
I/O	4 DI & 2 Relay Form C 5 Transistor Output (Open Collector)
Color	Edge: Black / Silver (Customized Panel)
Housing Material	ABS
Dimension(mm)	133(L)X94(W)X70/30(H)
Weight(g)	470±30

## Dimension(mm)

### 837(E)



### 837(EE/EF/WD)

